

Product Technical Data Sheet

M6 Smooth Top Gx Teks® Steel Frame and Truss Screw

Part Number	Description	Pack Qty	Pallet Qty
6-371-0005-5MP	M6 x 18 Smooth Top Gx Teks Steel Frame and Truss Screw Ezi-Drive	5,000	420,000

Application:

Buildex® M6 Gx Teks® Screw is used for the assembly of steel roof trusses, floor trusses and steel wall frames.

The product does not require a pre punched hole but can be used with pre punched holes \varnothing 5,0 mm or smaller.

Used as companion screws in roof and floor trusses.

Features:

Underhead serrations

GX Thread Feature

M6 Thread

Teks Point

Benefits:

Higher resistance to loosening and a higher strip torque.

Ensures maximum pullout strength and a higher strip torque.

High single shear and torsional strength.

Does not require a pre-punched hole.

Installation Instructions:

1. Use the number 3 Phillips Cross Recess Driver Bit (6-991-0395)
2. Use a mains powered or cordless screw driver with a 2,500 RPM speed.
3. Fit the Phillips driver bit into the screw and place at the fastening position.
4. Apply consistently firm pressure (end load) to the screw driver until the screw has fastened.

Material: Carbon Steel SAE 1022 | **Heat Treatment:** To AS 3566.1 | **Finish:** Ezi-Drive

Mechanical Properties:

Single Shear Strength (N) 12,400 | Torsion Strength 16.0 N-m

Pullout Values (N) into steel frame section (MM):

Steel Frame Section 0.75: 1,785 | Steel Frame Section 1.00: 2,835 | Steel Frame Section 1.20: 3,545

Thread Forming and Seating Torque Values (Nm) into steel frame section (MM):

Steel Frame Section 2 x 0.75 with a hole size of \varnothing 5.0mm: Thread Forming Torque 3.5 / Seating Torque 11.0

Steel Frame Section 2 x 1.00 with a hole size of \varnothing 5.2mm hole): Thread Forming Torque 4.0 / Seating Torque 12.10

Steel Frame Section 2 x 1.20: with a hole size of \varnothing 5.2mm: Thread Forming Torque 4.5 / Seating Torque 12.10

All values are averages obtained under laboratory conditions and appropriate safety factors should be applied for design purposes.

These figures are applicable to Buildex® head marked product only.

Corrosion Performance:

M6 Smooth Top Gx Teks® Frame Screw with Ezi-Drive complies to Australian Standards AS3566.2 Class 3

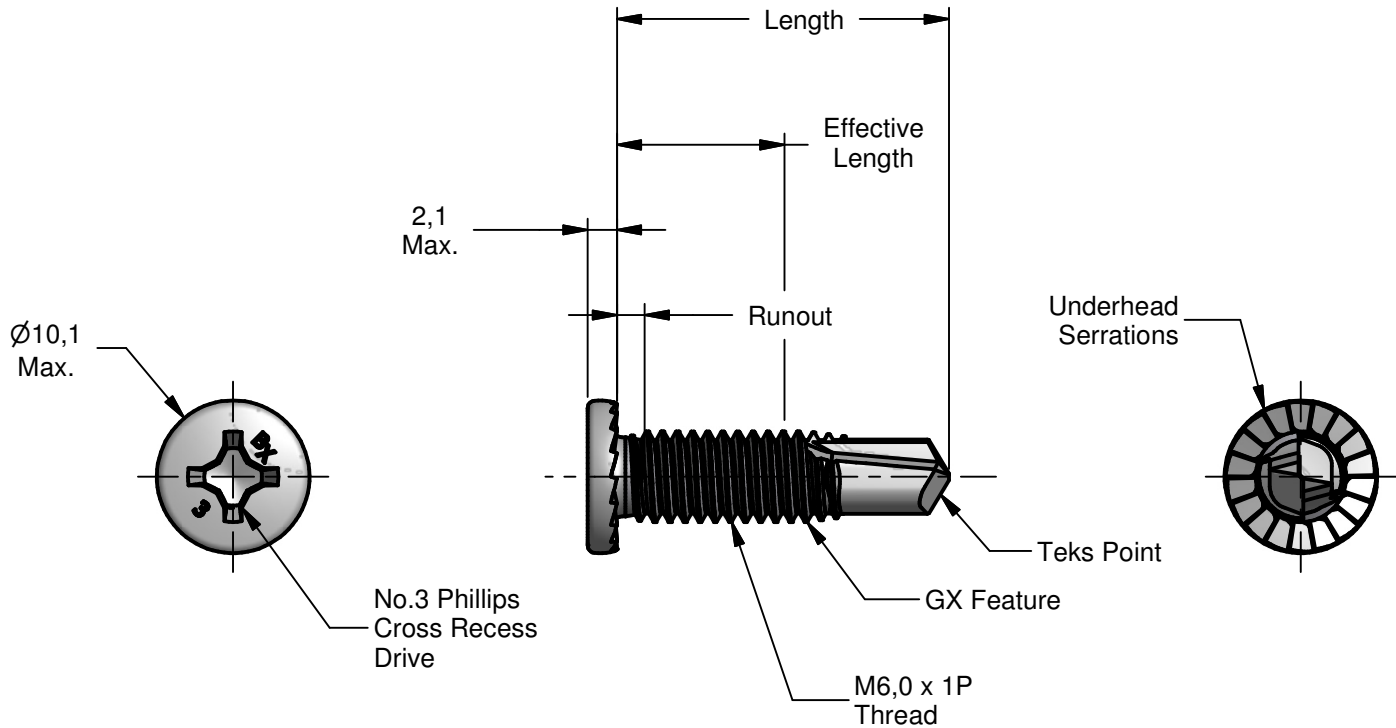
Recommended Material Thickness:

Steel Section 0,55 x 2 | Steel Section 0,75 x 2 | Steel Section 1,00 x 2

Steel Section 1,20 and above: contact your Buildex® Sales Representative

Product Technical Data Sheet

M6 Smooth Top Gx Teks® Steel Frame and Truss Screw



Description	Length	Runout	Effective Length
M6 x 18 Smooth Top Gx Teks	16.5 / 18.0	1.0 Max.	6.0 Min.

All dimensions nominal unless otherwise stated. Normal manufacturing tolerances apply.

Buildex® Head Office
 600 South Road
 Moorabbin Victoria 3189
 Australia
 1300 368 101
 CustomerService-MBN@buildex.com.au

Buildex® Middle Eastern Sales Office
 middleeastsales@buildex.com.au

Technical Help Desk
 Technicalhelpdesk@buildex.com.au